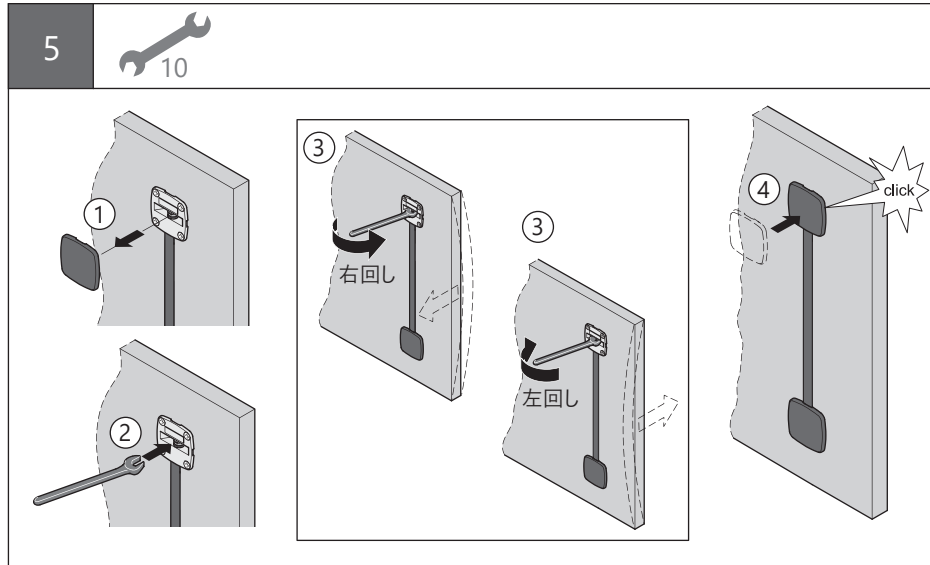


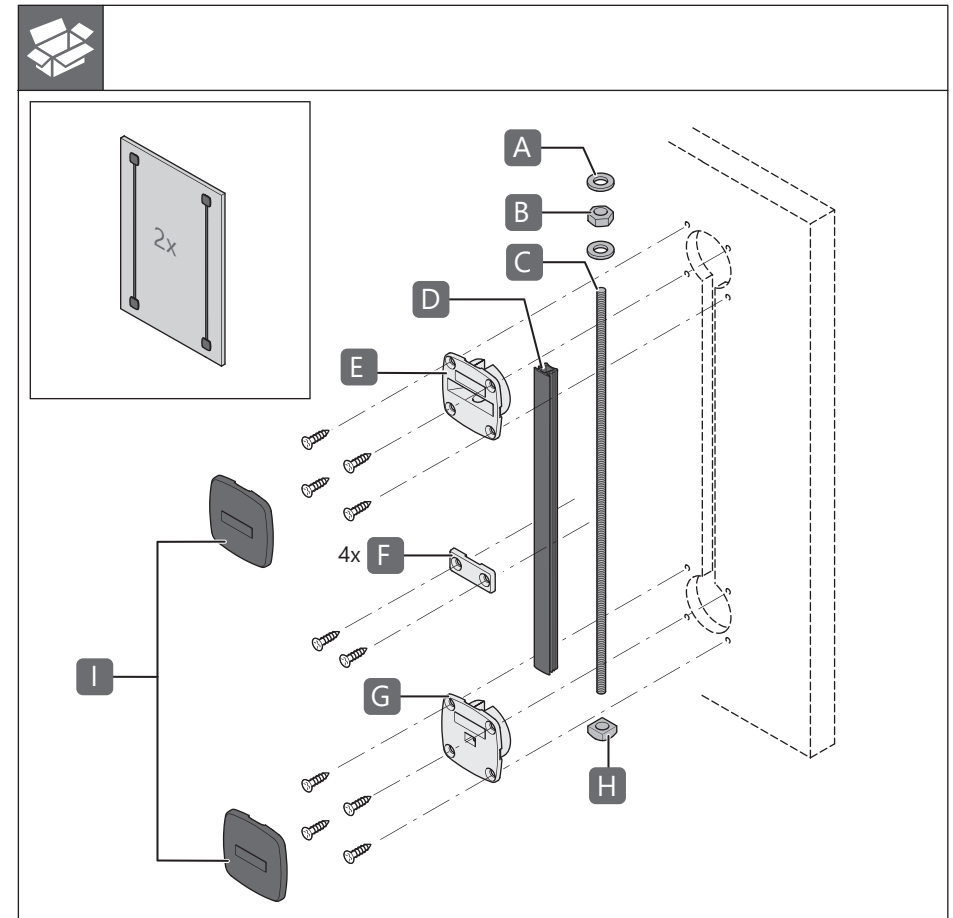
Adjustment options
調整方法 六角10番で調整



HDE 11.05.2010 Maße in mm – Dimensions in mm – Medidas en mm

Planofit straightening system for sliding doors

applies to Cat. No.:
407.90.200-201
407.90.220-221
407.90.700-701
407.90.720-721
407.90.206-704

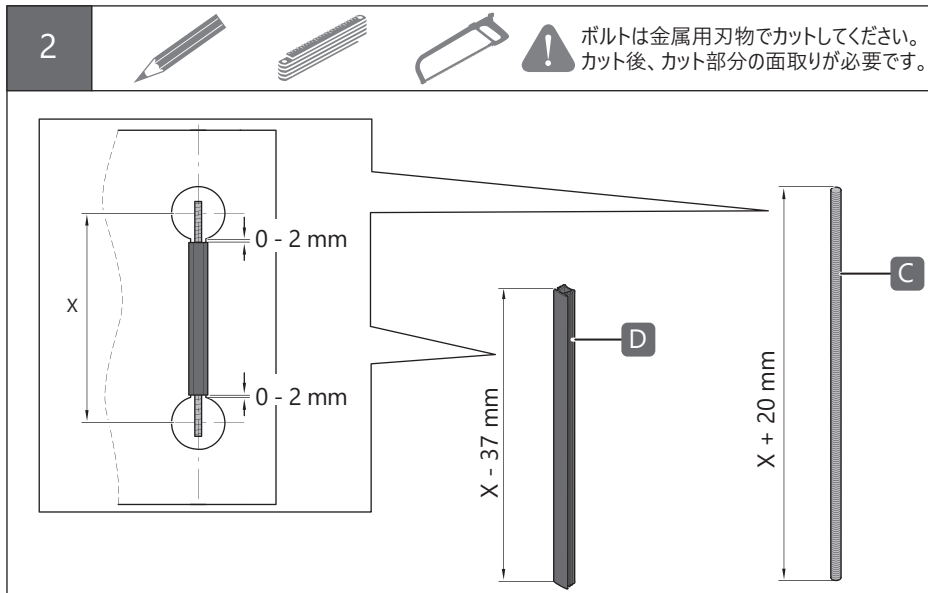
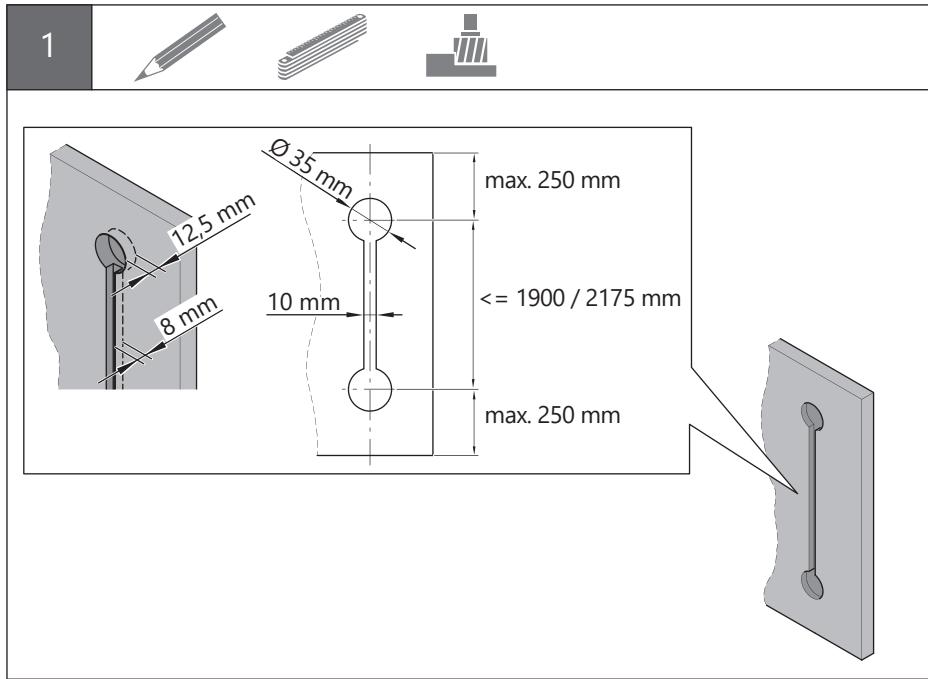


HDE 11.05.2010 Maße in mm – Dimensions in mm – Medidas en mm

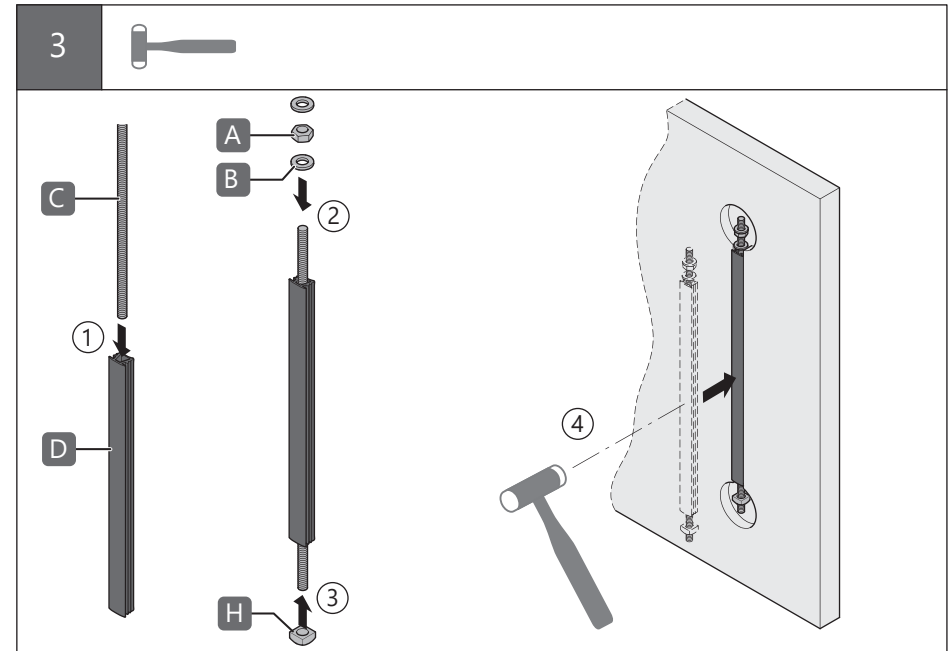


16x





HDE 11.05.2010 Maße in mm – Dimensions in mm – Medidas en mm



HDE 11.05.2010 Maße in mm – Dimensions in mm – Medidas en mm

